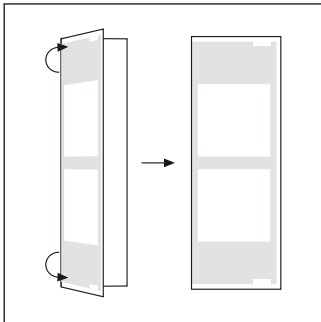
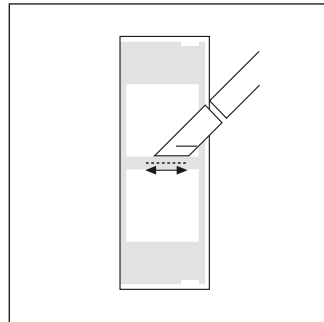


## Construction

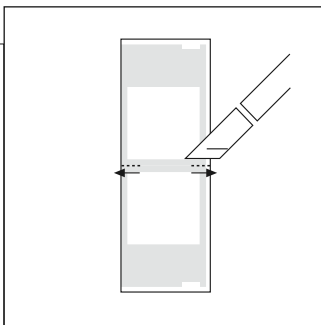
1:



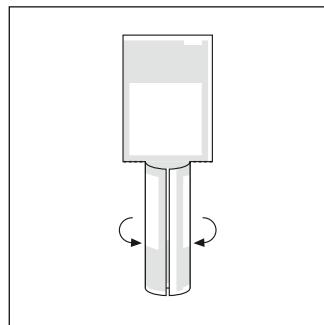
2:



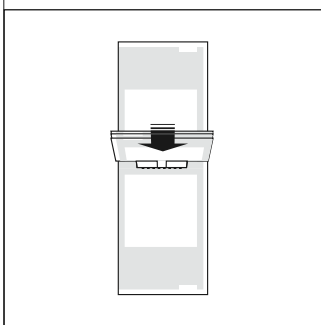
3:



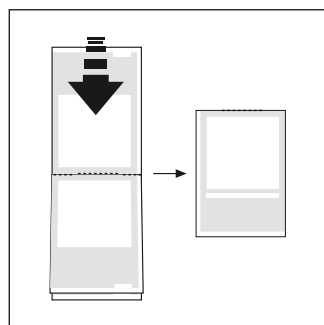
4:



5:



6:



- 1: First, fold each A4 sheet in half along the vertical axis.
- 2: Using a craft knife or scalpel, cut a horizontal slot along the centre dotted line of the first A4 sheet. (pages 1/2/13/14)
- 3: Then cut along the dotted lines on all the other sheets. Make sure to cut to the very edges of the paper.
- 4: Stack the folded sheets in ascending order with the even numbers at the top. Curl the bottom half of the second A4 page (pages 3/4/23/24).
- 5: Thread the curled page through the centre slot of the first A4 page. Repeat this process with the third (pages 5/6/21/22), fourth (pages 7/8/19/20), fifth (pages 9/10/17/18), and sixth A4 sheet (pages 11/12/15/16) with the even pages in ascending order.
- 6: When all the pages have been threaded through, check the pagination. Finally, fold the booklets in half along the horizontal axis.

<b>2</b>	<p><b>Your Comment or Story</b></p> <p><b>Place:</b> street address or location</p> <p><b>Type:</b> what kind of comment or story is this?</p>
<p>Please write, draw or paste a photo here:</p>	

<p>Please write, draw or paste a photo here:</p>	
<b>1</b>	<p><b>Your Comment or Story</b></p> <p><b>Place:</b> street address or location</p> <p><b>Type:</b> what kind of comment or story is this?</p>

# SOCIAL TAPESTRIES

## COMMUNITY MAPPING

### Havelock Estate eNotebook

.....  
Your Name

.....  
Date (dd/mm/year)



This eNotebook is for residents to record their feelings about buildings, places, activities, amenities and routes through Havelock estate. The first half of the eNotebook has space for you to note down how you feel about specific issues that have been identified as important in the day to day life of the community. The second half has room for you to make up to 10 specific comments about actual places. The back page of this eNotebook has a map for you to mark where each of these places are.

You may write notes, draw pictures or paste in photographs to illustrate your comments. We are looking for comments not only about problems, but also about the strengths and benefits of living on the estate. Your comments may be practical observations or could recall local history. They might make links between Havelock and other places you have lived in.

Once you have completed this eNotebook, please return it to the HIR0 office. These eNotebooks will help identify areas for regeneration as well as how to tell positive stories about the community.

**How to Use this eNotebook**



Mark this map with the places and routes your comments refer to (using the number of each comment).

### Mapping Your Community

**Comments & Feedback:**  
do you have any other comments, stories or ideas about the estate you would like to share?

**How long have you lived on the estate?  
What changes have you noticed during this time?**

**What are your favourite places on the estate? Please say why.**

**10** **Your Comment or Story**  
**Place:** street address or location  
**Type:** what kind of comment or story is this?

Please write, draw or paste a photo here:

Please write, draw or paste a photo here:

**6** **Your Comment or Story**  
**Place:** street address or location  
**Type:** what kind of comment or story is this?

**Are there places on the estate you don't like to go? Please say why.**

**What amenities and facilities on the estate do you like to use (community centre, shops, play areas etc)? Please say why?**

8

**Your Comment or Story**

**Place:** street address or location

**Type:** what kind of comment or story is this?

Please write, draw or paste a photo here:

Large empty rectangular box for writing or drawing.

7

**Your Comment or Story**

**Place:** street address or location

**Type:** what kind of comment or story is this?

Please write, draw or paste a photo here:

Large empty rectangular box for writing or drawing.

**Are there amenities and facilities on the estate *don't* you like to use? Please say why.**

Large empty rectangular box for writing a response.

**Where do you most like to go on the estate? Please say why.**

Large empty rectangular box for writing a response.

**6** **Your Comment or Story**  
**Place:** street address or location  
**Type:** what kind of comment or story is this?

Please write, draw or paste a photo here:

Please write, draw or paste a photo here:

**5** **Your Comment or Story**  
**Place:** street address or location  
**Type:** what kind of comment or story is this?

**Are there places on the estate you don't like to go? Please say why.**

**What aspects of the estate (facilities, amenities, services etc) would you like to see improved?**

**4** **Your Comment or Story**  
**Place:** street address or location  
**Type:** what kind of comment or story is this?

Please write, draw or paste a photo here:

Please write, draw or paste a photo here:

**3** **Your Comment or Story**  
**Place:** street address or location  
**Type:** what kind of comment or story is this?

**What other improvements to the estate would you like to see?**

Please use this section of the eNotebook to record your comments and/or stories about places on the estate itself. Each comment has a number – using the map on the back page, mark the places your comments refer to with the relevant number.

You can record 10 comments in each eNotebook. When you have filled this one up, please return it to the HIR0 office and take another fresh eNotebook for further comments or stories. You could also use different eNotebooks to record comments about specific themes.

Your comments and stories might describe experiences you have had in particular places on the estate (such as waiting at the bus stop), or to describe routes you use to visit friends, or go to school or work. You might like to use it to comment on places on the estate you use or feel strongly about. You might also use it to propose new facilities or other ideas for the estate regeneration plan.

**Your Comments and Stories**